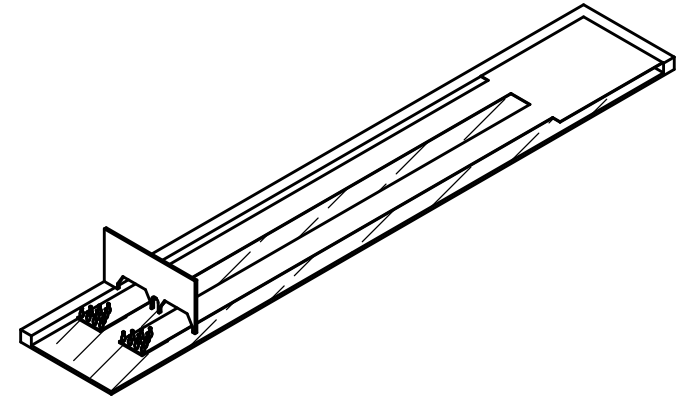
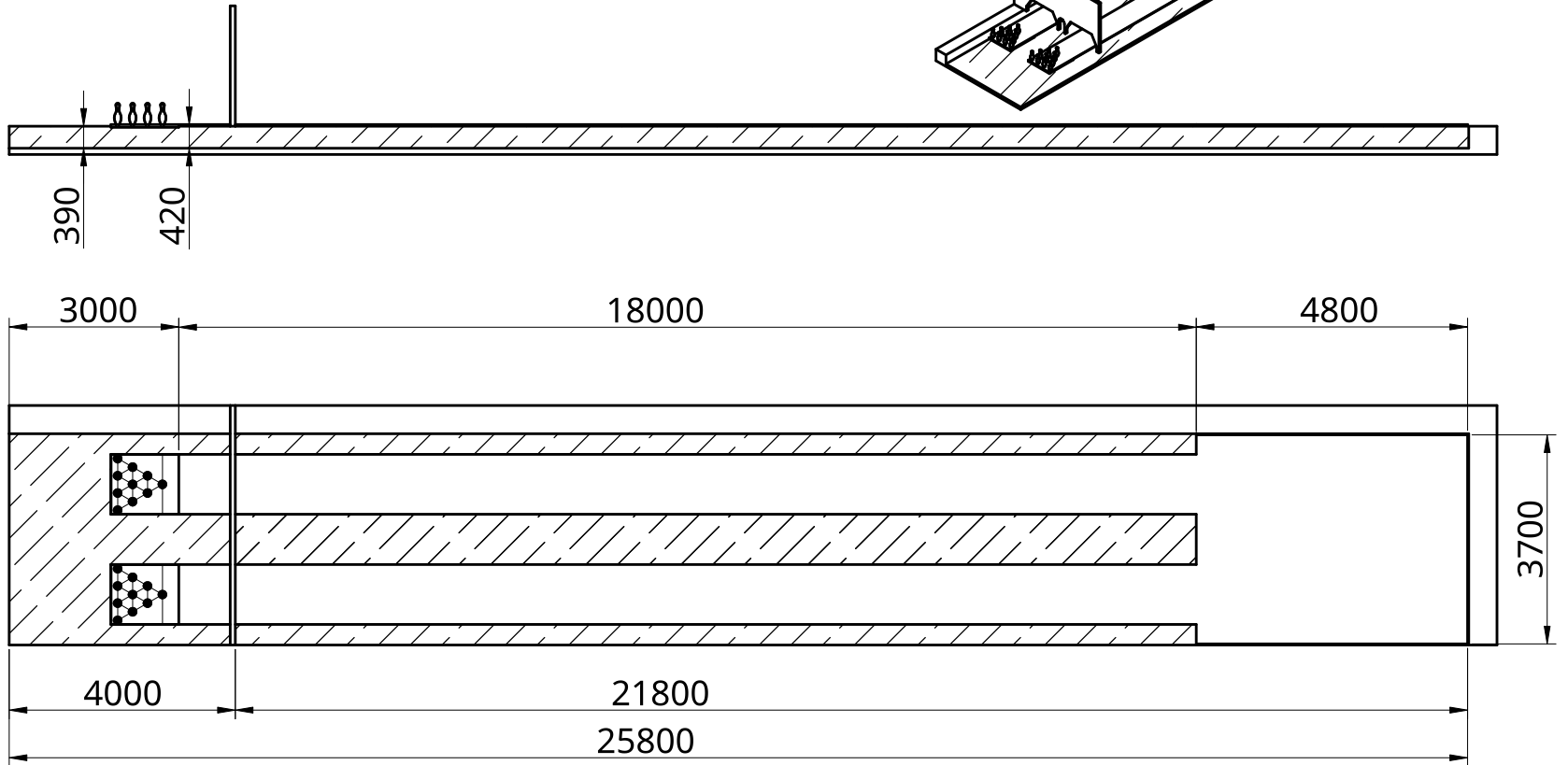
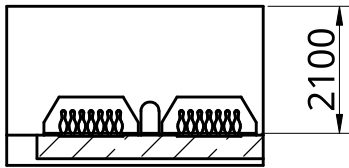



# LANECRAFT



## Notes:

- 390mm slab set-down depth
- 30mm floor finish allowance
- 420mm total finished floor level difference
- 2100 minimum overhead clearance
- Email [hello@lanecraft.com.au](mailto:hello@lanecraft.com.au) for more information

UNLESS OTHERWISE SPECIFIED, DIMENSIONS ARE IN MILLIMETERS  ANGULAR = ± °  SURFACE FINISH ✓  DO NOT SCALE DRAWING  BREAK ALL SHARP EDGES AND REMOVE BURRS  FIRST ANGLE PROJECTION 	NAME	SIGNATURE	DATE	LaneCraft Pty Ltd		
	DRAWN	DANIEL JUDGE	2026-02-03			
	CHECKED			SIZE	DWG NO.	REV.
	APPROVED			A4		
	MATERIAL	FINISH	SCALE	WEIGHT	SHEET	1 of 1
			1:125			